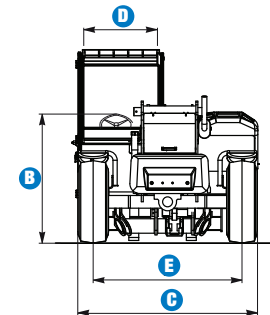
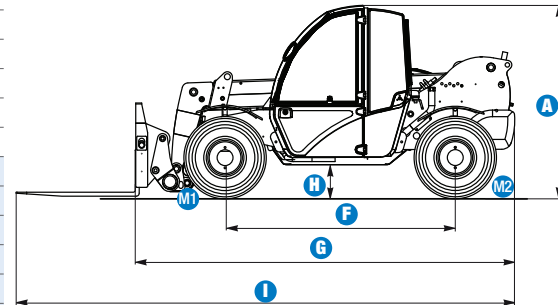


Specifications

MODEL		GTH™-2506	
MEASUREMENTS	Metric	Imperial	
Lifting height maximum	5.79 m	19 ft	
Lifting capacity maximum	2,500 kg	5,511 lbs	
Lift capacity at maximum height	2,000 kg	4,409 lbs	
Lift capacity at maximum reach	900 kg	1,984 lbs	
Forward reach maximum	3.34 m	11 ft	
Reach at maximum height	60 cm	2 ft	
A Height	1.92 m	6 ft 4 in	
B Height at steering wheel	1.25 m	4 ft 1 in	
C Width	1.81 m	5 ft 11 in	
D Inside cab width	75 cm	2 ft 6 in	
E Track	1.5 m	4 ft 11 in	
F Wheelbase	2.32 m	7 ft 7 in	
G Length at fork-holder plate	3.84 m	12 ft 7 in	
H Ground clearance	33 cm	1 ft 1 in	
I Overall length	5.04 m	16 ft 6 in	
M1 Obstruction angle	90°	90°	
M2 Departure angle	70°	70°	

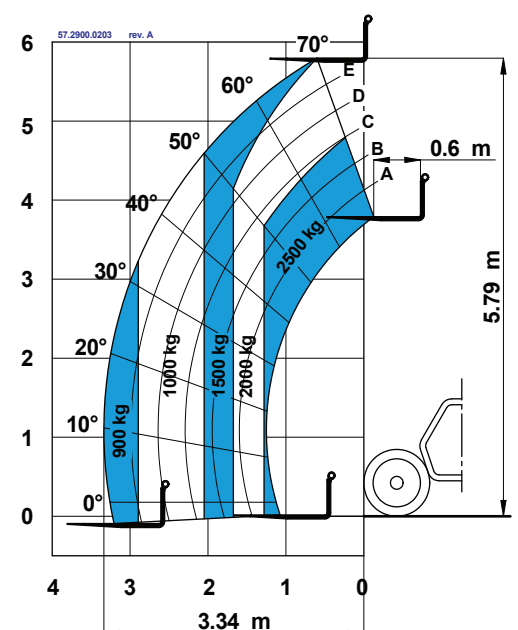


PRODUCTIVITY		
Inside/outside turning radius	1.7 m/3.35 m	5 ft 7 in/11 ft
Break-out force (with 500 L shovel SAE J 732/80)	4,185 kg	9,225 lbs
Towing capacity at dynamometer*/**	4,230 kg/3,100 kg	9,325 lbs/6,834 lbs
Drive speed max.	24 km/h	15 mph
Fork-holder plate rotation	130°	130°
Floating forks	L 1,200 mm Section 100 x 40 mm	L 3 ft 11 in Section 4.5 in x 2 in
Tyres (DIN 70361)	12-16.5" PR10 8 - holes wheel disc	
Lifting/lowering speed**	7 sec./4 sec.	7 sec./4 sec.
Extension/retraction speed**	7 sec./4 sec.	7 sec./4 sec.

POWER		
Engine	Deutz D2011L04W 4-cylinder Diesel 68 hp (50 kW), Tier 3	
Tank capacities		
Fuel	60 L	13 gal
Engine oil	10 L	2.2 gal
Hydraulic oil	65 L	14 gal

WEIGHT		
Weight***	4,450 kg	9,810 lbs

STANDARDS COMPLIANCE
EU Machinery Directive 98/37/CE Operating cab conforms to ISO3471 (ROPS) and ISO3449 (FOPS) Low emission engine conforms to EU Directive 97/68/EC stage III



Lift capacity chart
With floating forks
(L 1200 mm-section 100x40 mm)

EN1459, Annex B

*Loaded, **Unladen
*** Weight will vary depending on options and/or country standards

Features

STANDARD FEATURES

MEASUREMENTS

- 2,500 kg (5,511 lb) maximum lift capacity
- 5.79 m (19 ft) maximum lift height
- 3.34 m (11 ft) maximum forward reach

PRODUCTIVITY

- 4 x 4
- 4 - wheel steer
- 3 steering modes:
 - front wheel steer
 - crab steer
 - coordinated steer
- Hydraulic line on boom
- Power assisted steering
- Hydrostatic transmission with variable displacement pump and motor
- Electro-proportional 4x1 joystick
- Limited slip differential on front axle
- Floating forks
- Attachment holder plate with mechanical coupling
- Two-section door (glass upper/steel lower)
- Angle and length indicators on boom correspond to load charts
- Adjustable suspended seat
- Large diameter steering wheel
- Front & rear windscreen wipers
- Sunshield
- Roof protection grid
- Two side rear view mirrors
- Front & rear lights
- Side-mounted engine for easy access to components
- Oil immersed multi-disc brakes on front axle
- Lockable fuel tank
- Longitudinal stability control system :
 - Load moment indicator with LEDs
 - Audible alarm
 - Automatic lock-out of boom extension and lowering
- Maintenance collar

POWER

- Deutz Diesel 68 hp (50 kW), Tier 3

TYRES

- 12-16.5" PR10. 8 holes wheel disc (DIN 70361)



OPTIONS & ACCESSORIES

PRODUCTIVITY

- Air conditioning
- Second hydraulic line on boom + electric line on boom
- Hydraulic quick coupling for attachments
- Concrete mixing bucket pre-arrangement
- Special air filter
- Hydraulic inching
- Windshield protection grid
- Adjustable spotlight
- Additional armrest
- Fish eye rear view mirror in the back
- Wiper on cab roof
- Foam filled tyres 12-16,5 PR10 (instead of standard tyres)
- Biodegradable naturelle HF-E Shell oil
- 6-ton towing hitch

ATTACHMENT OPTIONS

- Spare wheel 12-16.5" PR10
- Spare wheel foam filled 12-16.5" PR10
- Loading shovel 500 L
- Light material loading shovel 800 L
- Concrete bucket 500 L, manual/ hydraulic discharge
- Concrete mixing bucket 250 L with remote control
- Brick-holder basket
- 10-ton hydraulic jack and 24 mm wheel nut wrench
- FEM 2 plate and forks kit
- Forks side-shift (+/- 100 mm)
- Fixed hook on plate
- 2 m jib, 1250 kg capacity
- 2 m jib, 400 kg capacity
- Drilling accessory 250 mm
- Polishing brush with harvest bucket

UK

The Maltings
Wharf Road
Grantham NG31 6BH
UK
Tel: +44 (0)1476 584333
Fax: +44 (0)1476 584334

France

10, ZA de la Croix St. Mathieu
28320 Gallardon
France
Tel: +33 (0)2 37 26 09 99
Fax: +33 (0)2 37 26 09 98

Germany

Finienweg 3
28832 Achim/Bremen
Germany
Tel: +49 (0)4202 8852-0
Fax: +49 (0)4202 8852-25

Spain

Gaià 31, Pol. Ind. Plá d'en Coll
08110 Montcada i Reixac
Barcelona
Spain
Tel: +34 93 572 50 90
Fax: +34 93 572 50 91

Scandinavia

Aröds industriväg 34
422 43 Hisings Backa
Sweden
Tel: +46 31 57 51 00
Fax: +46 31 57 51 04

Middle East

Terex Middle East
PO Box 282325, Dubai
U.A.E.
Tel: +971 4 339 1800
Fax: +971 4 339 1802
Email: awp.infome@terex.com

Genie United States

18340 NE 76th Street
P.O. Box 97030
Redmond, WA
USA 98073-9730
Tel: +1 425 881-1800
Fax: +1 425 883-3475

Email: AWP-InfoEurope@terex.com

Distributed By: